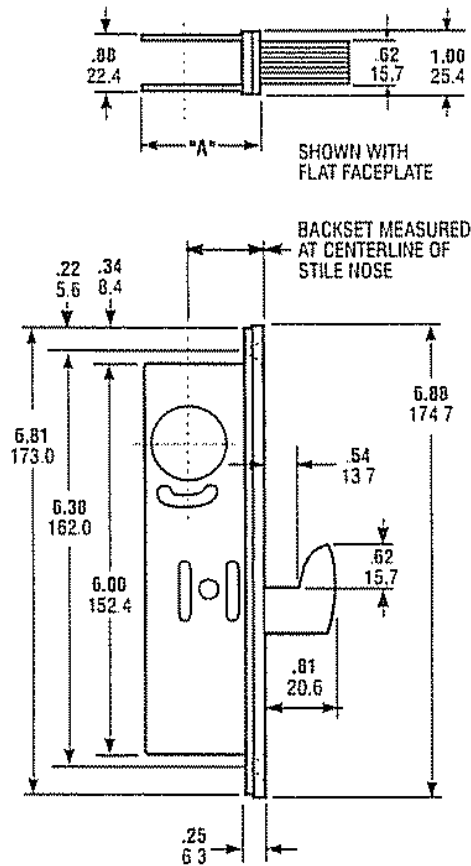


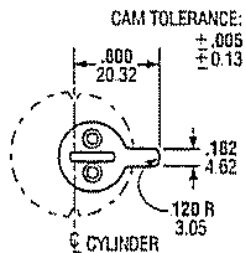
DIMENSIONS

INCHES
MILLIMETERS
Nominal, subject to tolerance extremes.



| BACKSET | "A" |
|---------|------|
| 7/8" | 1.57 |
| 22.0 | 39.9 |
| 31/32" | 1.63 |
| 24.6 | 41.4 |
| 1-1/8" | 1.78 |
| 28.6 | 45.2 |
| 1-1/2" | 2.25 |
| 38.1 | 57.1 |

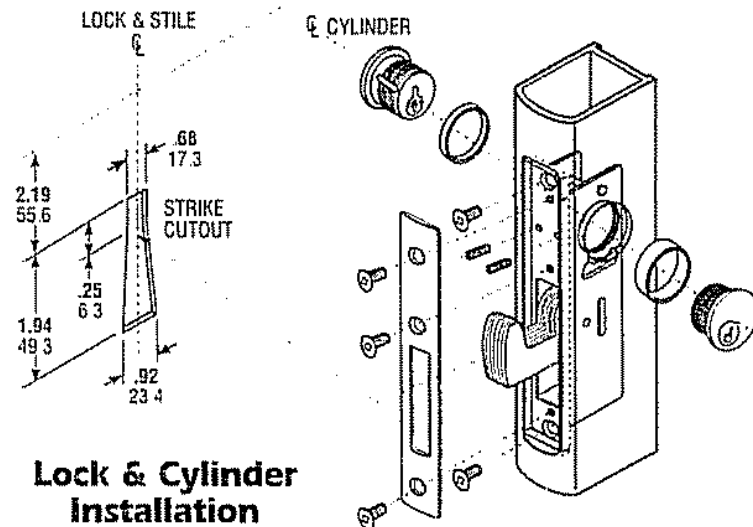
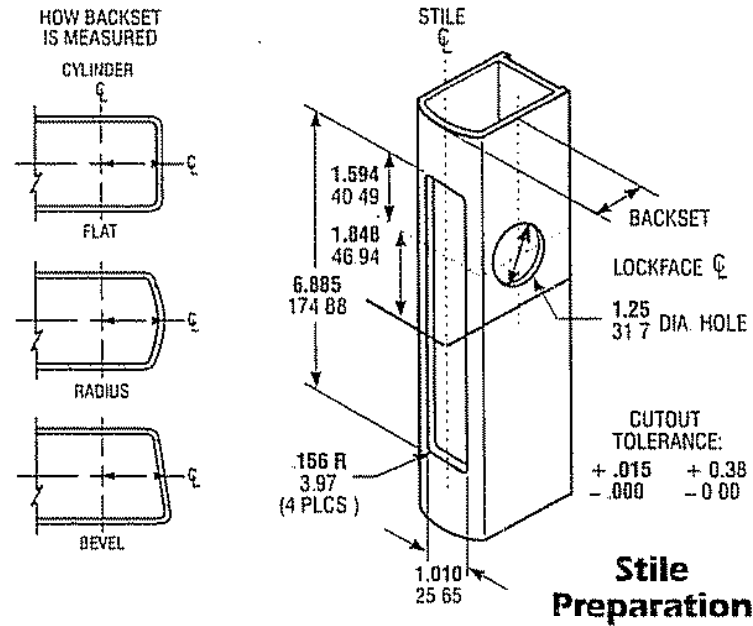
| ARMORED FACEPLATE 1" x 6-7/8" | |
|----------------------------------|--------------|
| FLAT | MS1850S-050 |
| RADIUS | MS1851S-050 |
| RADIUS w/WEATHERSTRIP | MS1851SW-050 |
| LH BEVEL | MS1852S-055 |
| RH BEVEL | MS1852S-056 |



Cylinder Cam

locks are operable by any standard 1-5/32" diameter mortise cylinder with special cam dimensioned as shown. Cylinders with cams can be readily obtained from most cylinder manufacturers.

INSTALLATION



Lock & Cylinder Installation